

Nominal Size W x H x D (in)	Actual Size W x H x D (in)	Part Number	Capacity (CFM)	Resistance (in W.G.)	Media Area (sq ft)	Carton Qty	Weight per Carton (lbs)
24 x 24 x 12	23-3/8 x 23-3/8 x 11-1/2	112-684-242412	2000	0.25	55	1	25
12 x 24 x 12	11-3/8 x 23-3/8 x 11-1/2	112-684-122412	1000	0.25	24	2	25
20 x 20 x 12	19-3/8 x 19-3/8 x 11-1/2	112-684-202012	1400	0.25	37	1	18
20 x 24 x 12	19-3/8 x 23-3/8 x 11-1/2	112-684-202412	1667	0.25	44	1	21
20 x 25 x 12	19-3/8 x 24-3/8 x 11-1/2	112-684-202512	1750	0.25	46	1	22

Standard Construction:

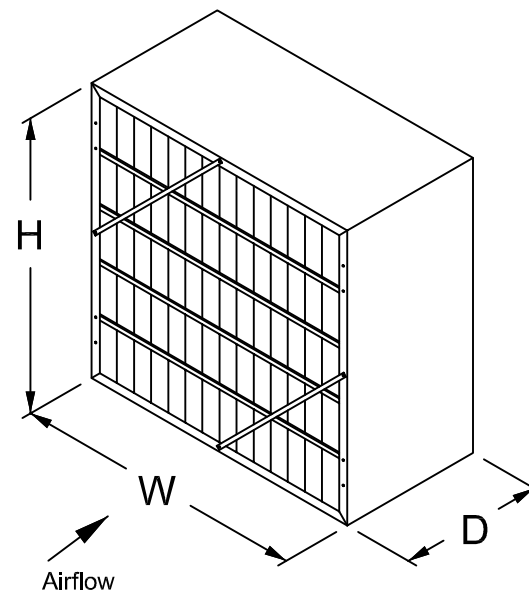
1. Granular Activated Carbon - 500 grams / square meter
2. Synthetic media on upstream and downstream side of carbon eliminates dust
3. Frame: 26 gage Galvanized Cellsides
4. Sealant: Waterbased Adhesive on all four sides
5. Galvanized Steel Crossbraces (Upstream and Downstream)
6. Pleat Spacers: Plastic Fingers

Specifications:

1. Rated Velocity: 500 FPM
2. Maximum Operating Temperature: 110 F (43 C)
3. Tolerance: Height & Width - +0 / -1/8"
4. Tolerance: Depth - +/- 1/16"

Notes;

1. All Dimensions are in Inches Unless Otherwise Noted
2. Drawing Not To Scale



**DuraKLEEN NHM
MERV 15
(No Header)**

REV
LTR

REVISION

BY /
DATE

8401 Air Commerce Drive - Louisville KY 40219
Phone: (502) 634-4796 FAX: (502) 637-2280

Drawn By: D. Miller
Date: November 17, 2022

Revision